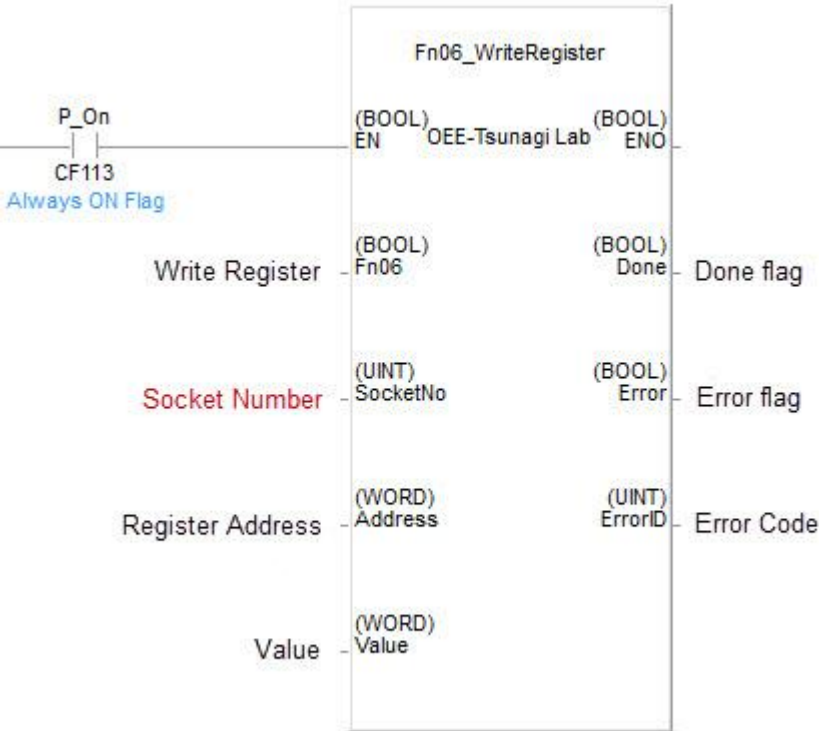


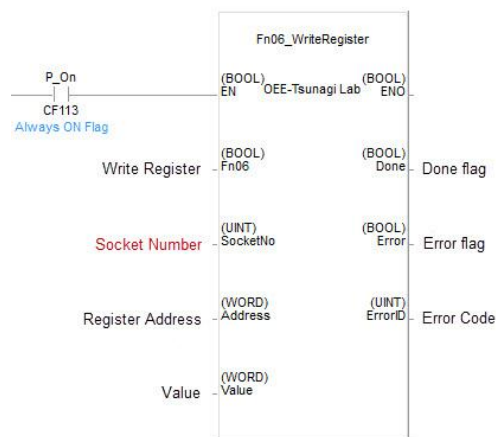
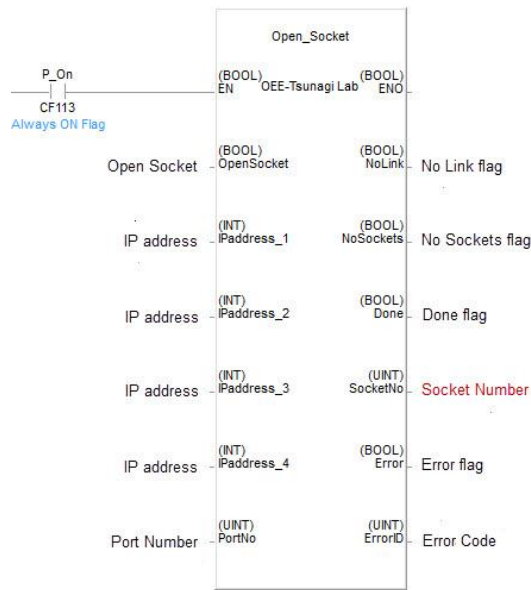
| Fn06_WriteRegister                  | Fn06 Write Register (Modbus / TCP)   |
|-------------------------------------|--|
| <b>Basic function</b>               | Request for Write One Register   |
| <b>Symbol</b>                       |   |
| <b>File name</b>                    | Fn06_WriteRegister.cxf   |
| <b>Applicable models</b>            | CP1L-EL or CP1L-EM   |
| <b>Conditions for usage</b>         | CX-Programmer Version 9.40 or higher.<br>The following specifications can be used for FB Auto Allocation: <ul style="list-style-type: none"> <li>- CIO 0000 to 6143</li> <li>- HR H000 to H511</li> <li>- AR A448 to A959</li> <li>- D00000 to D09999 for the CP1L-EL</li> <li>- D00000 to D32767 for the CP1L-EM</li> </ul> |
| <b>Function description</b>         | Fn06_WriteRegister Function Block writes one Register conform the variable value input.  |
| <b>FB precautions</b>               |  |
| <b>EN input condition</b>           | <ul style="list-style-type: none"> <li>• Connect EN to condition for the FB to Work.</li> <li>• Fn06 send the Request for Write the Value.</li> <li>• Socket Number 1 to 3.</li> <li>• Register Address.</li> <li>• Value.</li> </ul>  |
| <b>Restrictions Input variables</b> | <ul style="list-style-type: none"> <li>• Socket Number 1 to 3.</li> </ul>  |
| <b>Output variables</b>             | <ul style="list-style-type: none"> <li>• This FB requires multiple cycles to process.</li> <li>• The status of the Outputs bits are Reset if the Fn06 bit is OFF.</li> </ul>   |

**Application example**

Fn06 Write Register Function Block is designed for use with the other Function Blocks. The Socket Number Output can be used for the Socket Number Input used by :

- Open\_Socket
- Fn03\_ReadRegister
- Fn04\_ReadInputRegister
- Fn05\_ForceSingleCoil
- Close\_Socket

Example:



## ■ Variable Tables

### Input Variables

| Name           | Variable name | Data type | Default | Range    | Description                        |
|----------------|---------------|-----------|---------|----------|------------------------------------|
| EN             | EN            | BOOL      |         |          | 1 (ON): FB ON.<br>0 (OFF): FB OFF. |
| Write Register | Fn06          | BOOL      |         |          | Start request for Write Register   |
| Socket Number  | SocketNo      | UINT      |         | &1 to &3 | &1 to &3                           |
| Address        | Address       | WORD      |         |          | Register Address to Write          |
| Value          | Value         | WORD      |         |          | Value                              |

### Output Variables

| Name                     | Variable name | Data type | Range | Description  |
|--------------------------|---------------|-----------|-------|--|
| ENO<br>(May be omitted.) | ENO           | BOOL      |       | 1 (ON): FB processed normally.<br>0 (OFF): FB not processed or ended in an error.  |
| Done                     | Done          | BOOL      |       | Done   |
| Error                    | Error         | BOOL      |       | Error  |
| Error ID                 | ErrorID       | UINT      |       | Error code:<br>TCP/UDP Error Codes<br>Ethernet Units Construction of Networks Operation Manual (W420)<br>7-3 Command/Response Reference<br>FINS Error Codes<br>Communications Commands Reference Manual (W342)<br>5-1-3 Error Codes<br>CP1L-EL/EM CPU Unit Operation Manual (W516)<br>12-1 Troubleshooting |

## ■ Version History

| Version | Date       | Contents            |
|---------|------------|---------------------|
| 1.00    | 21-03-2012 | Original production |