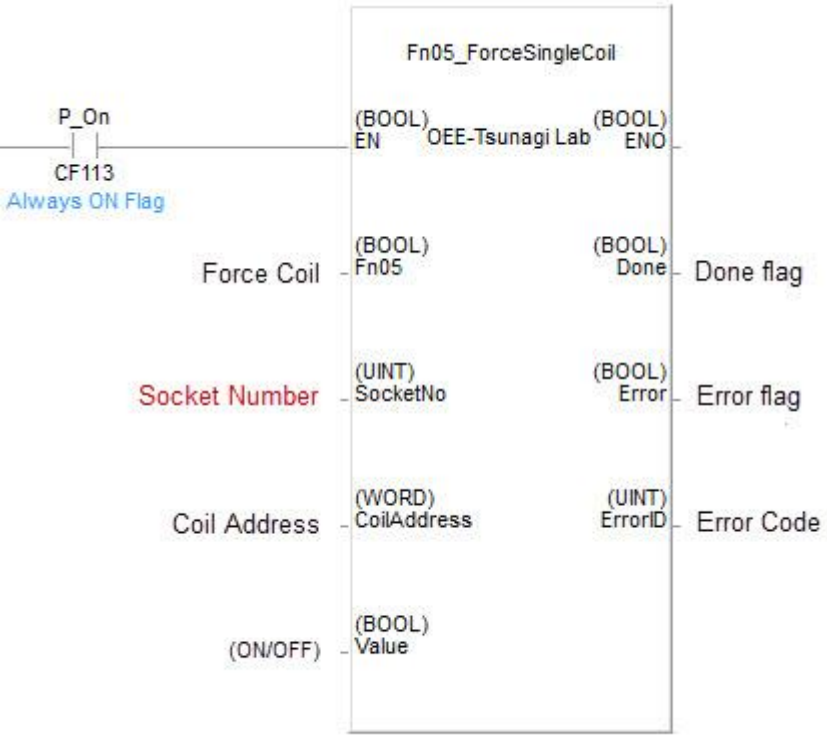


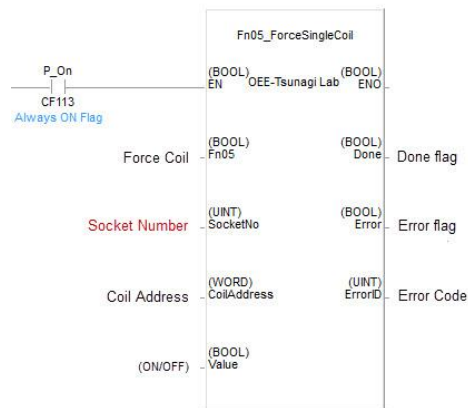
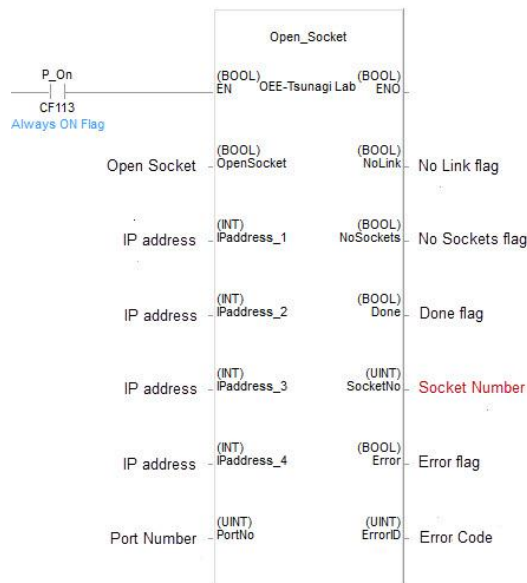
Fn05_Force SingleCoil	Fn05 Force Single Coil (Modbus / TCP)
Basic function	Request for Force One Coil
Symbol	
File name	Fn05_ForceSingleCoil.cxf
Applicable models	CP1L-EL or CP1L-EM
Conditions for usage	CX-Programmer Version 9.40 or higher. The following specifications can be used for FB Auto Allocation: <ul style="list-style-type: none"> - CIO 0000 to 6143 - HR H000 to H511 - AR A448 to A959 - D00000 to D09999 for the CP1L-EL - D00000 to D32767 for the CP1L-EM
Function description	Fn05 Force Single Coil Function Block Forces one Coil ON or OFF conform the variable coil address and value input.
FB precautions	
EN input condition	<ul style="list-style-type: none"> • Connect EN to condition for the FB to Work. • Fn05 send the Request for Force the Coil. • Socket Number 1 to 3. • Coil Address. • (ON/OFF) Value.
Restrictions Input variables	<ul style="list-style-type: none"> • Socket Number 1 to 3.
Output variables	<ul style="list-style-type: none"> • This FB requires multiple cycles to process. • The status of the Outputs bits are Reset if the Fn05 bit is OFF.

Application example

Fn05 Force Single Coil Function Block is designed for use with the other Function Blocks. The Socket Number Output can be used for the Socket Number Input used by :

- Open_Socket
- Fn03_ReadRegister
- Fn04_ReadInputRegister
- Fn06_WriteRegister
- Close_Socket

Example:



■ Variable Tables

Input Variables

Name	Variable name	Data type	Default	Range	Description
EN	EN	BOOL			1 (ON): FB ON. 0 (OFF): FB OFF.
Force Coil	Fn05	BOOL			Start request for Force Single Coil
Socket Number	SocketNo	UINT		&1 to &3	&1 to &3
Coil Address	Address	WORD			Coil Address to Force ON or OFF
Value	Value	BOOL		0 or 1	0(OFF) / 1(ON)

Output Variables

Name	Variable name	Data type	Range	Description
ENO (May be omitted.)	ENO	BOOL		1 (ON): FB processed normally. 0 (OFF): FB not processed or ended in an error.
Done	Done	BOOL		Done
Error	Error	BOOL		Error
Error ID	ErrorID	UINT		Error code: TCP/UDP Error Codes Ethernet Units Construction of Networks Operation Manual (W420) 7-3 Command/Response Reference FINS Error Codes Communications Commands Reference Manual (W342) 5-1-3 Error Codes CP1L-EL/EM CPU Unit Operation Manual (W516) 12-1 Troubleshooting

■ Version History

Version	Date	Contents
1.00	21-03-2012	Original production