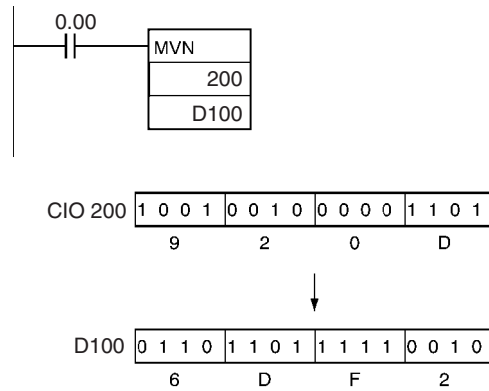


Example

When CIO 0.00 is ON in the following example, the status of the bits in CIO 200 is inverted and the result is copied to D100.

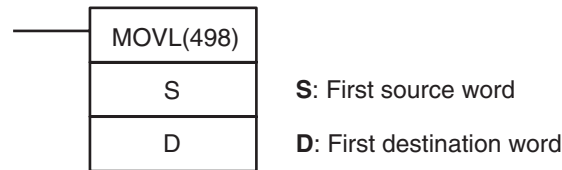


3-7-3 DOUBLE MOVE: **MOVL(498)**

Purpose

Transfers two words of data to the specified words.

Ladder Symbol



Variations

Variations	Executed Each Cycle for ON Condition	MOVL(498)
	Executed Once for Upward Differentiation	@MOVL(498)
	Executed Once for Downward Differentiation	Not supported
Immediate Refreshing Specification		Not supported

Applicable Program Areas

Block program areas	Step program areas	Subroutines	Interrupt tasks
OK	OK	OK	OK

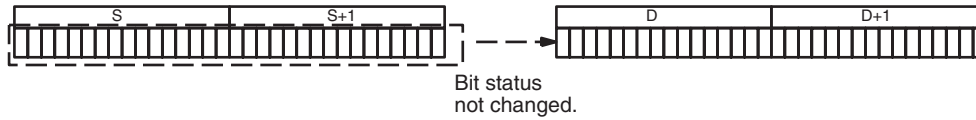
Operand Specifications

Area	S	D
CIO Area	CIO 0 to CIO 6142	
Work Area	W0 to W510	
Holding Bit Area	H0 to H510	
Auxiliary Bit Area	A0 to A958	A448 to A958
Timer Area	T0000 to T4094	
Counter Area	C0000 to C4094	
DM Area	D0 to D32766	
Indirect DM addresses in binary	@ D0 to @ D32767	
Indirect DM addresses in BCD	*D0 to *D32767	
Constants	#00000000 to #FFFFFFF (binary)	---
Data Registers	---	

Area	S	D
Index Registers	IR0 to IR15	
Indirect addressing using Index Registers	,IR0 to ,IR15 -2048 to +2047, IR0 to -2048 to +2047, IR15 DR0 to DR15, IR0 to IR15 ,IR0+(++) to ,IR15+(++) ,-(--) IR0 to, 1-(--) IR5	

Description

MOVL(498) transfers S+1 and S to D+1 and D. If S+1 and S are constants, the value can be used for a data setting.

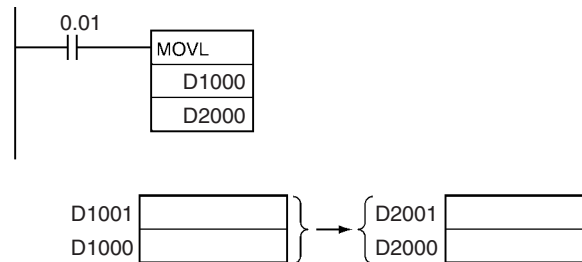


Flags

Name	Label	Operation
Error Flag	ER	OFF
Equals Flag	=	ON if the contents of D+1 and D are 0000 0000 after execution. OFF in all other cases.
Negative Flag	N	ON if the leftmost bit of D+1 is 1 after execution. OFF in all other cases.

Example

When CIO 0.01 is ON in the following example, the content of D1001 and D1000 are copied to D2001 and D2000.

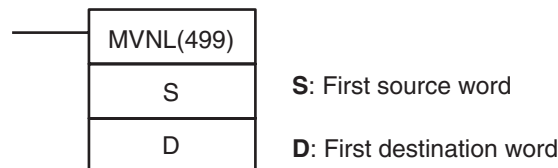


3-7-4 DOUBLE MOVE NOT: MVNL(499)

Purpose

Transfers the complement of two words of data to the specified words.

Ladder Symbol



Variations

Variations	Executed Each Cycle for ON Condition	MVNL(499)
	Executed Once for Upward Differentiation	@MVNL(499)
	Executed Once for Downward Differentiation	Not supported
Immediate Refreshing Specification		Not supported