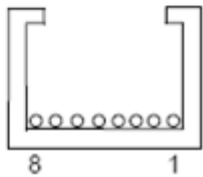
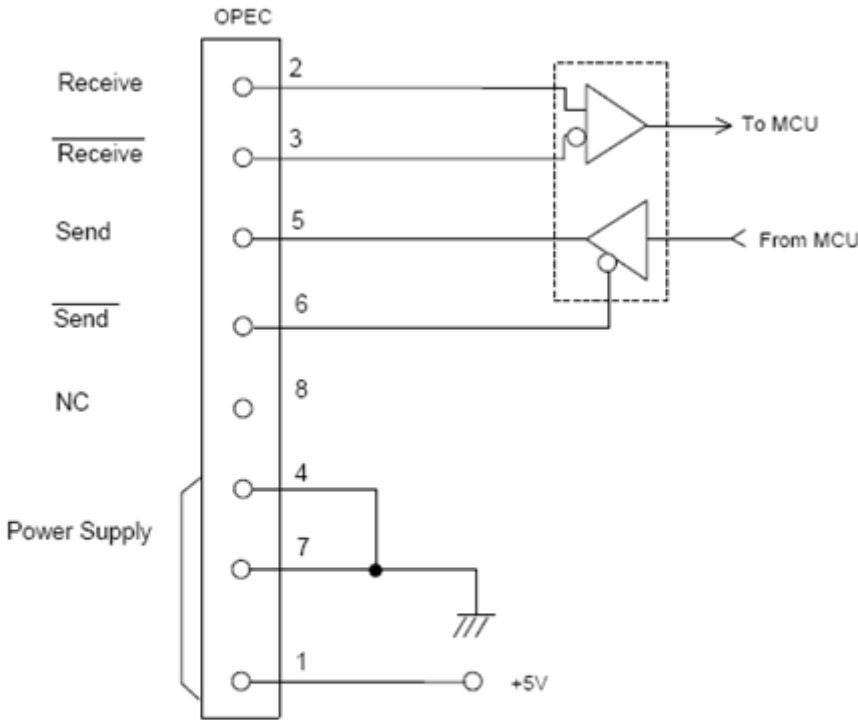


To connect to a JX inverter
 there is a cable available with T-connector, it is called: 3G3AX-CTB020EE
 You can connect with normal cat.-cable between the inverters,
 but you have to make your own cable to the PLC.

Connection diagram for all the inverters with RJ-45 is enclosed.

6. RS422 CONNECTOR SPECIFICATION

6.1 CIRCUIT DIAGRAM



Connector type:95003-6884 (MOLEX)