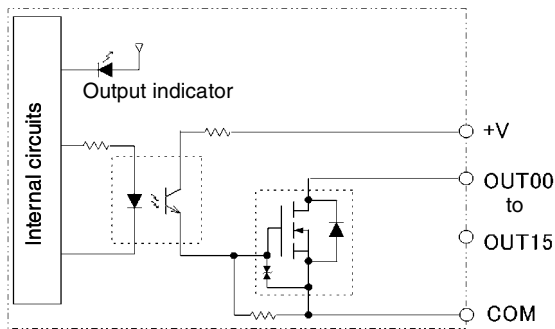
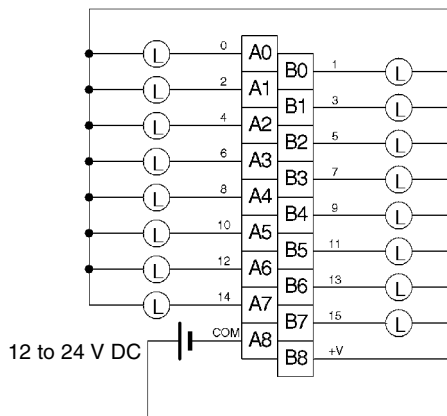


Circuit Configuration



Terminal Connections



When wiring, pay careful attention to the polarity of the external power supply. The load may operate incorrectly if the polarity is reversed.

Note Terminal numbers A0 to A9 and B0 to B9 are used in this manual, but they are not printed on the Unit.

CJ1W-OD231 Transistor Output Unit (Fujitsu Connector, 32 Points, Sinking)

Rated Voltage	12 to 24 V DC
Operating Load Voltage Range	10.2 to 26.4 V DC
Maximum Load Current	0.5 A/point, 2.0 A/common, 4.0 A/Unit
Maximum Inrush Current	4.0 A/point, 10 ms max.
Leakage Current	0.1 mA max.
Residual Voltage	1.5 V max.

ON Response Time	0.1 ms max.
OFF Response Time	0.8 ms max.
Insulation Resistance	20 MΩ between the external terminals and the GR terminal (100 V DC)
Dielectric Strength	1,000 V AC between the external terminals and the GR terminal for 1 minute at a leakage current of 10 mA max.
Number of Circuits	32 (16 points/common, 2 circuits)
Internal Current Consumption	5 V DC 140 mA max.
Fuse	None
External Power Supply	10.2 to 26.4 V DC, 30 mA min.
Weight	70 g max.
Accessories	None

Note The maximum load currents will be 2.0 A/common and 4.0 A/Unit if a pressure-welded connector is used.

Circuit Configuration

